

**LTECH**

E610P-RF Wireless Dimmer

# 0-10V Wireless Dimmer

E610P-RF



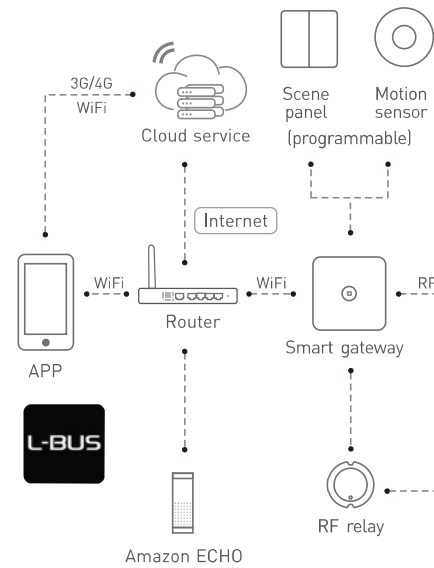
Manual

[www.ltech-led.com](http://www.ltech-led.com)

**LTECH**

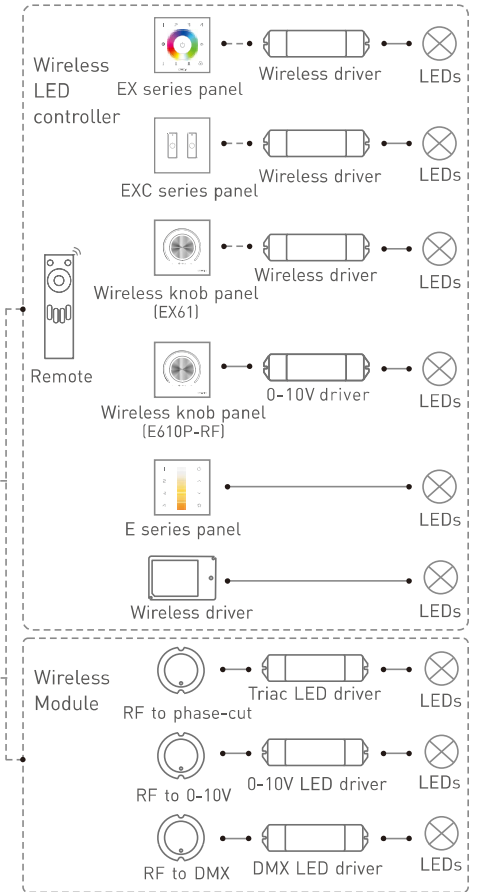
## System diagram

**L-BUS**



--- Wireless connection  
— Wired connection

E610P-RF Wireless Dimmer



## Product features

1. Active 0-10V signal output dimming controller.
2. 100-240Vac power supply, simple connection, convenient control.
3. 0-10V output dimming signals can be controlled either by a knob panel or a wireless RF remote.
4. Work with L-BUS gateway to control the panel to dim remotely.
5. The built-in relay switch can be used to cut off the power line and is also suitable for the occasions ,where lights can not be turned off completely.

Note: This model of controller only receives RF wireless signal control and has no RF transmission function.

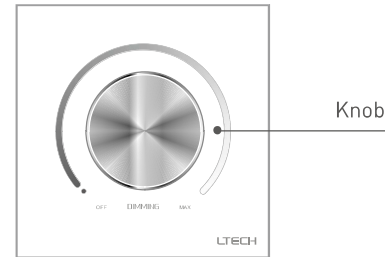
## Technical specs

E610P-RF 0-10V wireless dimmer

Input Voltage:	100~240Vac, 50-60Hz	Working Temp.:	-10°C~55°C
Switching Voltage:	Max. 250Vac	Anti Surge:	≤50A / 0.1S
Switching Current:	Max. 5A	Dimensions(L×W×H):	86×86×50(mm)
Output Signal:	0-10V, Max. 15mA	Package Size(L×W×H):	106×106×60(mm)
Wireless Signal:	RF 2.4GHz	Weight(G.W.):	220g

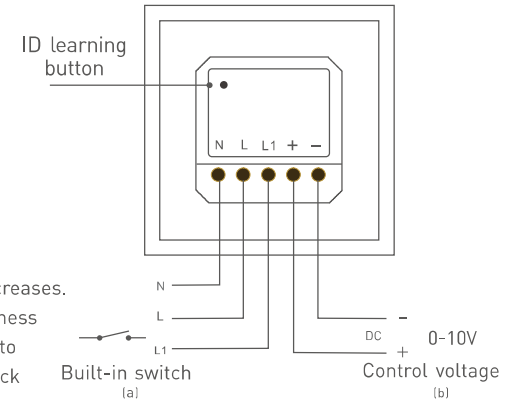


## Key functions

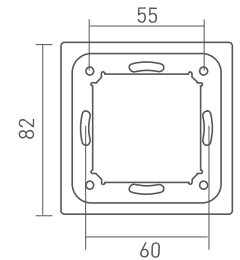
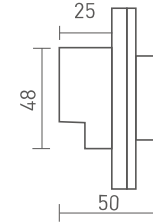
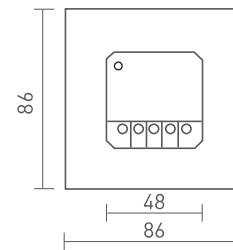


- \* Turn the knob clockwise, the brightness increases.
- \* Turn the knob counterclockwise, the brightness decreases. Turn the knob counterclockwise to the end, the dimmer will be turned off(A click can be heard).

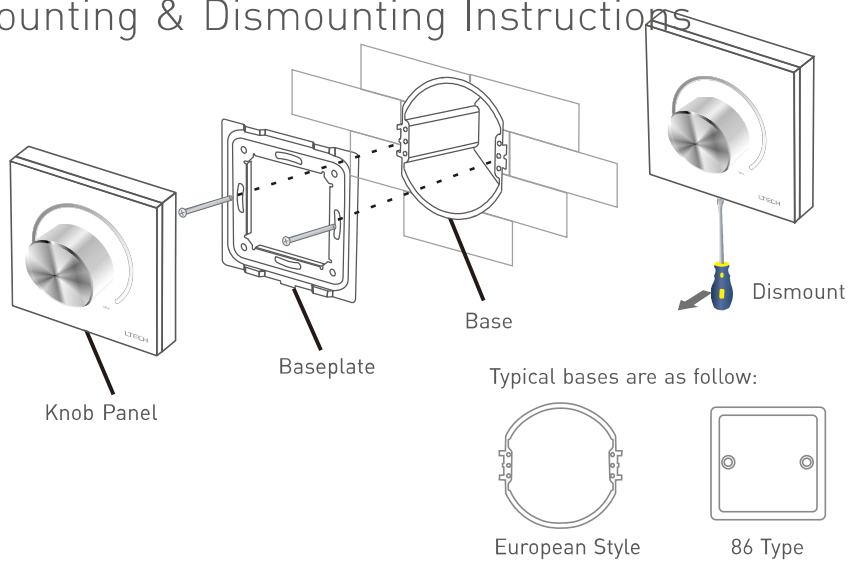
## Terminals



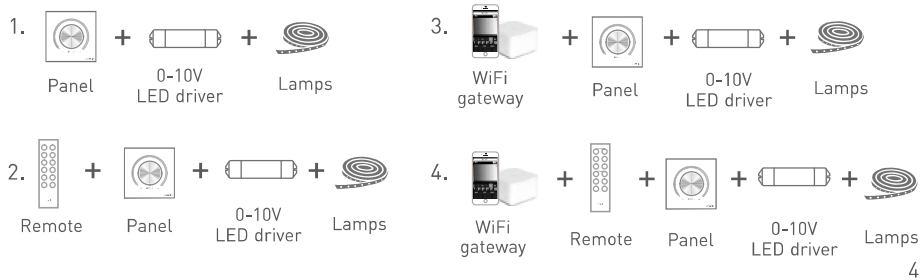
## Product size Unit: mm



## Mounting & Dismounting Instructions

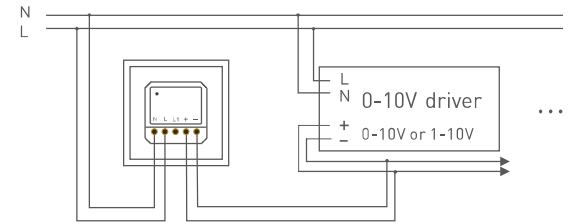


## Application composition

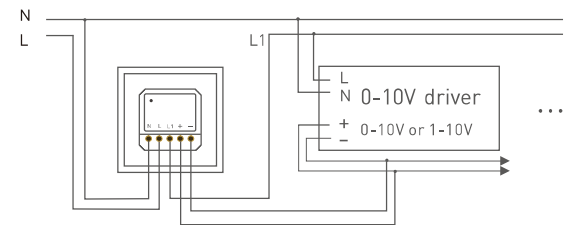


## Wiring diagram

### 1. Dimming

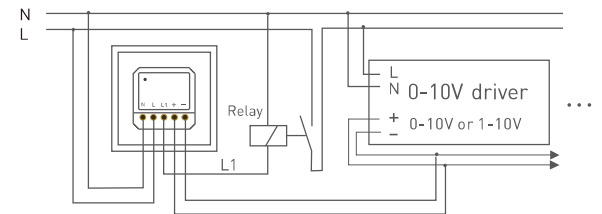


### 2. Built-in power switch



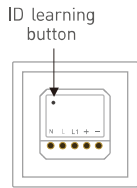
\* An external high-power relay switch is needed when total load current of the dimmer switch is more than 5A or inrush current is more than 50A/0.1S. The damaged dimmer switch resulting from overload current is not recovered by warranty.

### 3. External Relay Switch Connection



## Match code between panel & remote

1. Short press "ID learning button" on E610P-RF, the lamp flashes.



2. Hold down On/Off key on F1, or hold down On & Off keys on F5 for the pairing zone simultaneously. When the lamp is keeping on after brief flashes, pair successfully.



- \* Automatically exit pairing mode after 15s.
- \* One E610P-RF can be paired up with max 10 remotes.

## Match code between panel & gateway

1. Turn on APP, enter "Zone setting" interface.

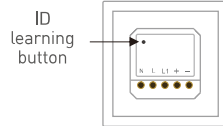


2. Click "MATCH" key in the upper right corner, then follow the prompts.



## Clear code

Long press "ID learning button" on E610P-RF for 10s until the lamp flashes 5 times, clear code successfully.



## Warranty Agreement

Thanks for your purchasing. Our products offer a 5-year warranty and you can enjoy free maintenance services within 5 years from the date of receiving products. Please contact your suppliers before sending products back to repair.

### Warranty exclusions below:

- Any failure or damage of products caused by improper installation, operation, maintenance and storage ,which results from failing to follow manuals.
- Beyond warranty periods.
- Alter or tear up product bar codes without authorization.
- Change configuration files of products or dismantle products for repair without authorization.
- Artificial damage of products, such as Improper voltage, high temperature, water damage, mechanical damage, smash, serious oxidation, and rust.
- Failures or damage of products caused by force majeure , such as earthquake, fire disaster, flood, and electric shock.
- Failures or damage of products not caused by product designs, technology, manufacturing, or quality.

\* This manual is subject to changes without further notice. Product functions depend on the goods. Please feel free to contact our official distributors if you have any question.