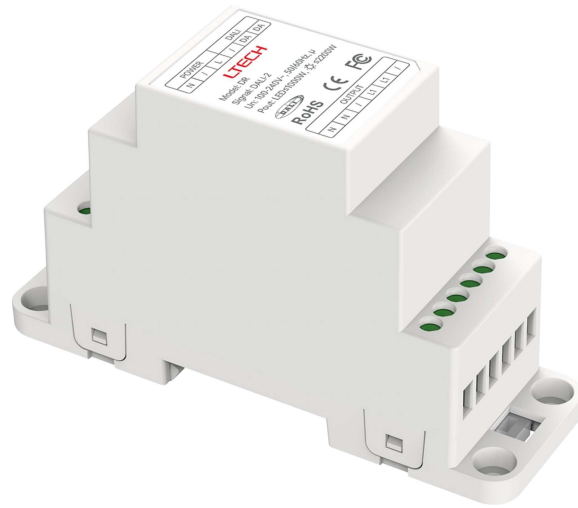


DR DALI Relay Unit



- DALI-2 certified; compliant to IEC62386-101, IEC62386-102, IEC62386-208;
- Relay unit is connected to the DALI bus and occupies 1 address;
- Together with a DALI master, it supports grouping, scene control;
- Works as a relay to switch LED lights on/off;
- Max. 3.6A per channel;
- Wide supply voltage;
- DIN rail mounting or screw mounting, suitable for project applications.

Technical Specs

DR

Input voltage: 100-240V~, 50/60Hz, μ

Maximum current: 12A

Capacitive load: 2200W@230V~, 1100W@110V~

Resistive load: 1000W@230V~, 500W@110V~

Inrush current in loads: Max. 60A

Communication protocol: DALI-2

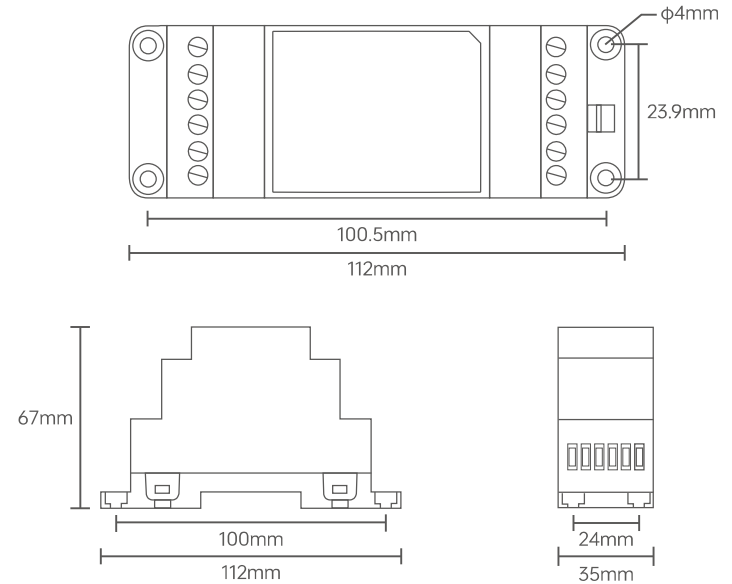
Working temperature: -25°C-50°C

Net weight: 109g

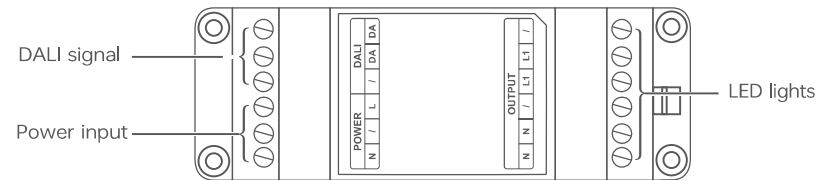
Dimensions: L112×W35×H67mm

Package size: L114×W37×H69mm

Product Size



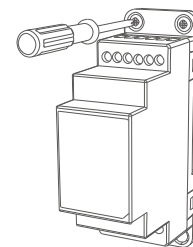
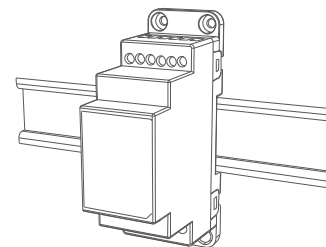
Terminals



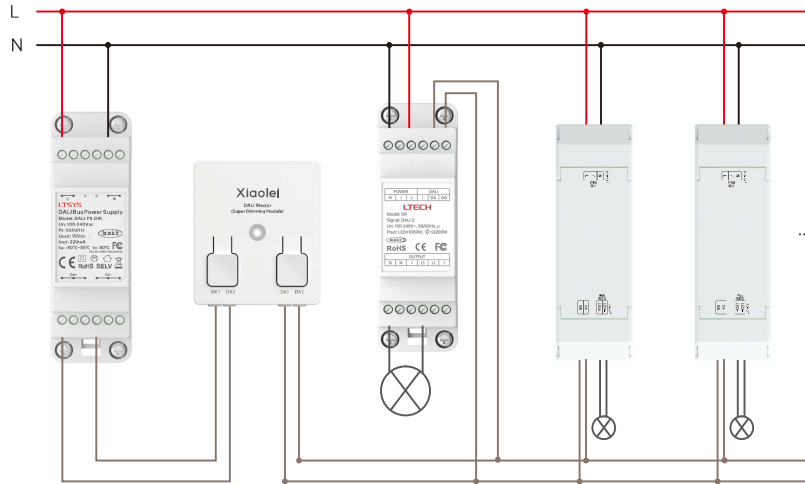
Mounting

① DIN rail mounting (TS-35/7.5 or TS-35/15)

② Screw mounting



Wiring Diagram



Transportation and Storage

1. Transportation

Products can be shipped via vehicles, boats and planes.

During transportation, products should be protected from rain and sun. Please avoid severe shock and vibration during the loading and unloading process.

2. Storage

The storage conditions should comply with the Class I Environmental Standards. The products that have been stored for more than six months are recommended to be re-inspected and can be used only after they have been qualified.

Attentions

- Product installation and commissioning should be done by a qualified professional.
- LTECH products are and not lightningproof non-waterproof (special models excepted). Please avoid the sun and rain. When installed outdoors, please ensure they are mounted in a water proof enclosure or in an area equipped with lightning protection devices .
- Good heat dissipation will prolong the working life of products. Please ensure good ventilation.
- Please check if the working voltage used complies with the parameter requirements of products.
- The diameter of wire used must be able to load the light fixtures you connect and ensure the firm wiring.
- Before you power on products, please make sure all the wiring is correct in case of incorrect connection that causes damage to light fixtures.
- If a fault occurs, please do not attempt to fix products by yourself. If you have any question, please contact your suppliers.

* This manual is subject to changes without further notice. Product functions depend on the goods. Please feel free to contact our official distributors if you have any question.

Warranty Agreement

- Warranty periods from the date of manufacture: 5 years
- Free repair or replacement services for quality problems are provided within warranty periods. Warranty exclusions below:

Warranty exclusions below:

Following conditions are not within the guarantee range of free repairing or replacement services:

- Beyond warranty periods.
- Any artificial damage caused by high voltage, overload, or improper operations.
- Products with severe physical damage.
- Damage caused by natural disasters and force majeure.
- Warranty labels and barcodes have been damaged.
- No any contract or invoice signed by LTECH .

1. Repair or replacement provided is the only remedy for customers. LTECH is not liable for any incidental or consequential damage unless it is within the law.

2. LTECH has the right to amend or adjust the terms of this warranty. The warranty that issues in writing shall prevail.