

## DIM/CT/RGB/RGBW/RGBCW LED Controller

- Small size and light weight. The housing is made from V0 flame retardant PC materials from SAMSUNG/COVESTRO.
- Soft-on and fade-in dimming function enhances your visual comfort.
- 2.4GHz wireless signal , eliminating the need for signal wiring.
- 1-5 channel constant voltage output.
- Control DIM, CT, RGB, RGBW, RGBCW light.
- Work with a MINI series RF 2.4GHz remote.
- P3, P4 and P5 have 9 built-in dynamic modes.
- One controller can be paired up with 10 remotes .
- Sync dynamic effects between controllers in the same group/zone.

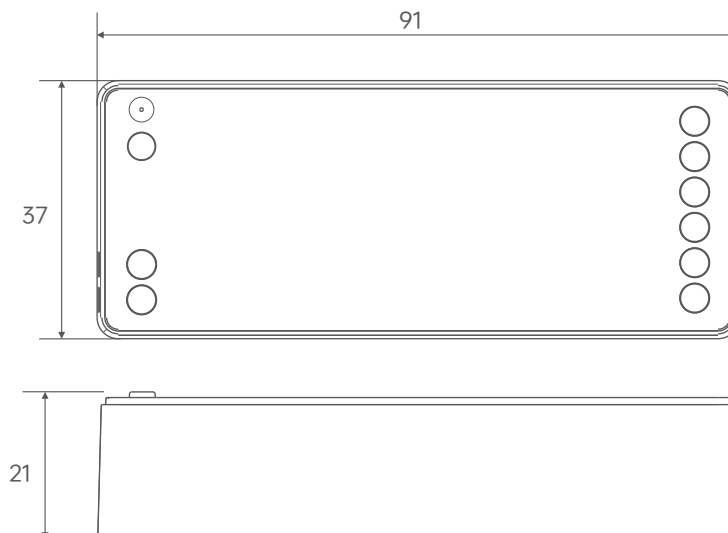


## Technical Specs

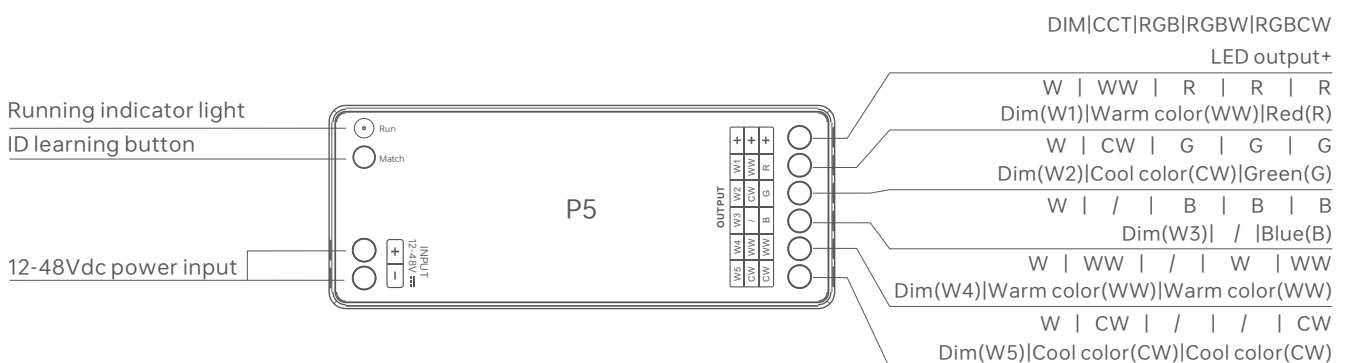
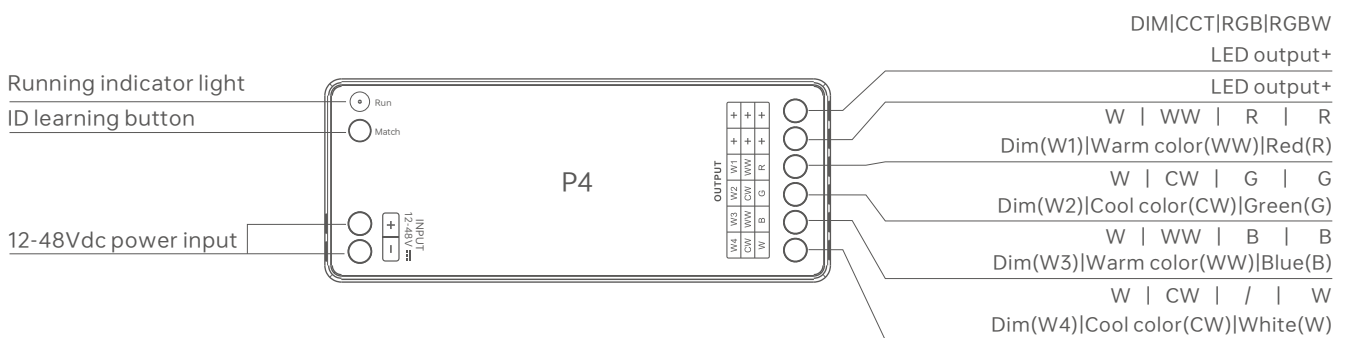
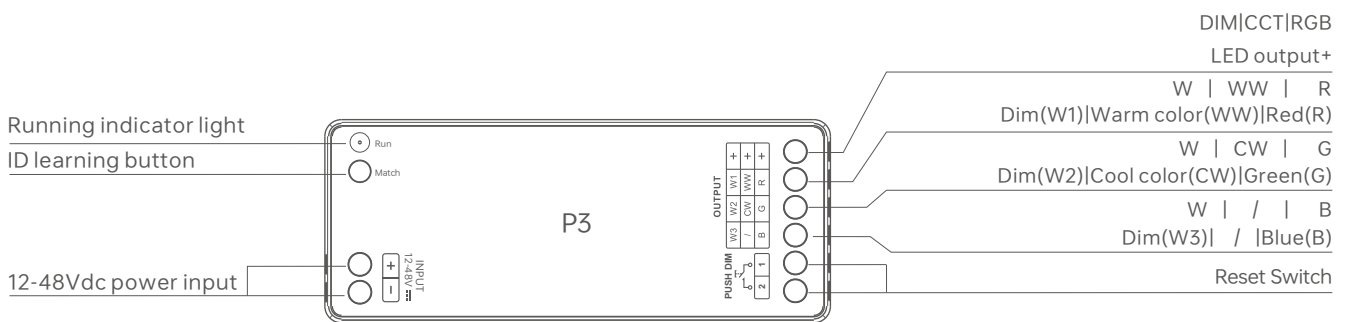
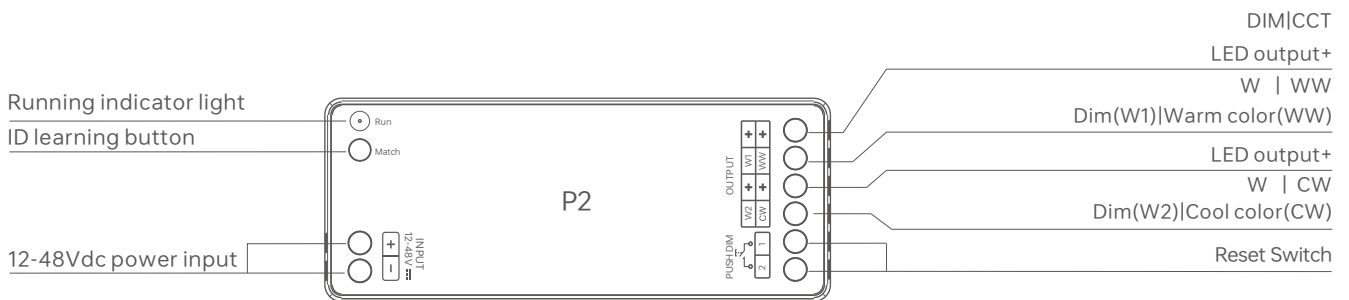
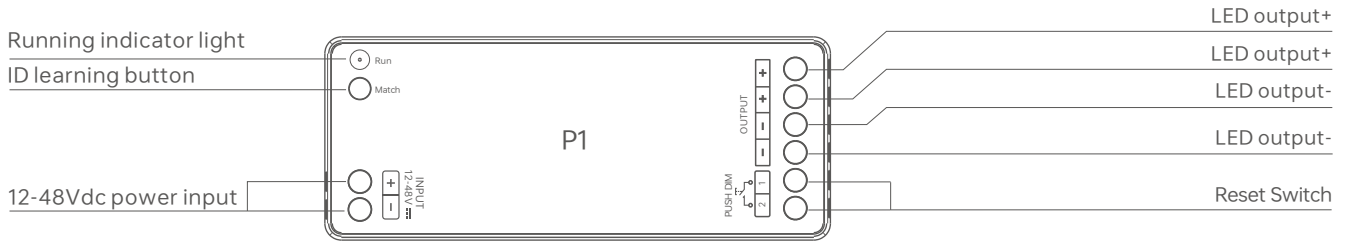
| Model                            | P1   | P2  | P3  | P4  | P5  |
|----------------------------------|--|---|---|---|---|
| Input Signal                     | RF2.4GHz   |   |   |   |   |
| Input Voltage                    | 12-48V ---   |   |   |   |   |
| Output Voltage                   | 12-48V ---   |   |   |   |   |
| Channels                         | 1 CH   | 2 CH  | 3 CH  | 4 CH  | 5 CH  |
| Reset Switch                     | Yes  | Yes   | Yes   | No  | No  |
| Load Current                     | Max. 11A   | Max. 12A  | Max. 15A  | Max. 15A  | Max. 15A  |
| Load Power                       | 132W@12V 240W@24V<br>288W@36V 384W@48V   | 144W@12V 240W@24V<br>288W@36V 384W@48V  | 180W@12V 360W@24V<br>432W@36V 432W@48V  | 180W@12V 288W@24V<br>360W@36V 480W@48V  | 180W@12V 360W@24V<br>450W@36V 600W@48V  |
| Compatible Remote Control Models | Single-zone: M1A/M1B<br>Multi-zone: M1C/M1D<br>Programmable: M9  | Single-zone: M1A/M1B/M2A/M2B<br>Multi-zone: M1C/M1D/M2C/M2D<br>Programmable: M9 | Single-zone: M1A/M1B/M2A/M2B/<br>M4A/M4B<br>Multi-zone: M1C/M1D/M2C/M2D/<br>M4C/M4D<br>Programmable: M9 | Single-zone: M1A/M1B/M2A/M2B/<br>M4A/M4B<br>Multi-zone: M1C/M1D/M2C/M2D/<br>M4C/M4D<br>Programmable: M9 | Single-zone: M1A/M1B/M2A/M2B/<br>M4A/M4B/M5A/M5B<br>Multi-zone: M1C/M1D/M2C/M2D/<br>M4C/M4D/M5C/M5D<br>Programmable: M9 |
| Protection                       | Short circuit protection, over-temperature protection, over-current protection, and reverse connection prevention protection |   |   |   |   |
| Working Temp.                    | -25°C ~ 50°C   |   |   |   |   |
| Dimension                        | L91×W37×H21(mm)  |   |   |   |   |
| Package Size                     | L94×W39×H22(mm)  |   |   |   |   |
| Weight(G.W.)                     | 46g  |   |   |   |   |

## Product Size

Unit: mm

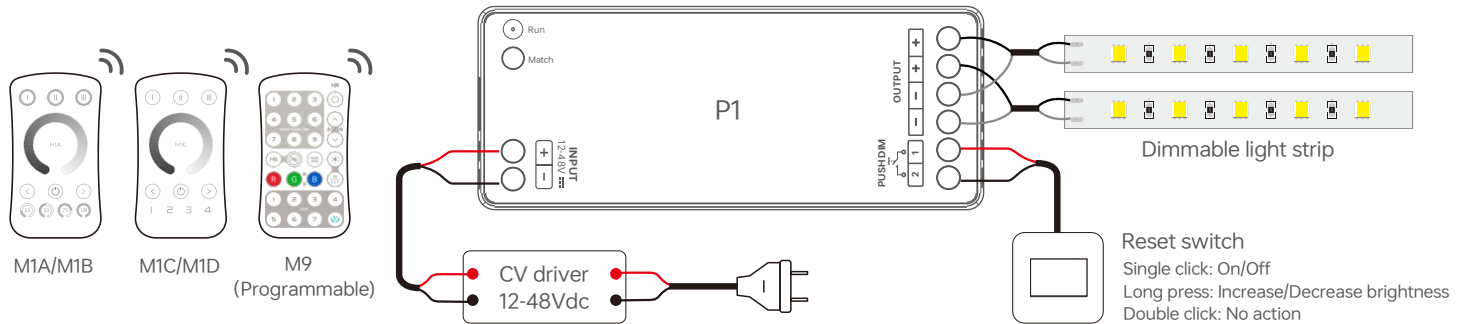


## Terminal Description

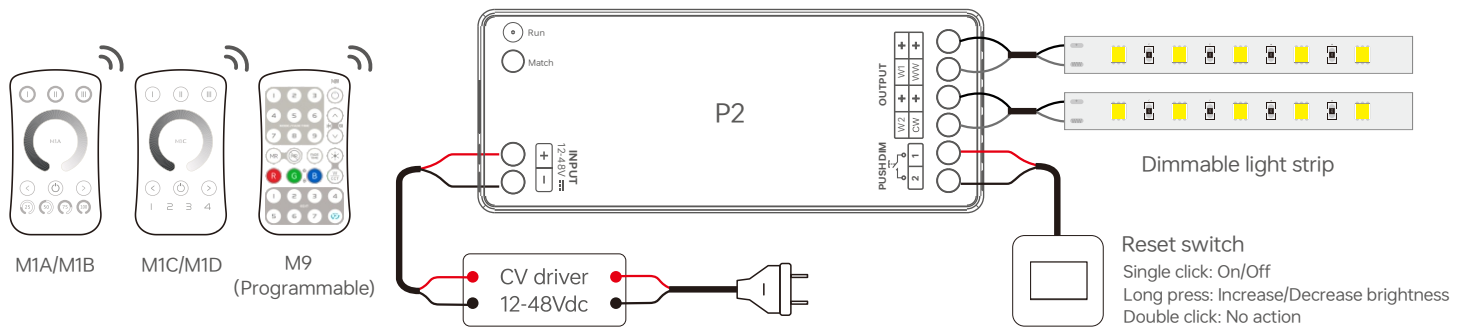


## Wiring Diagram

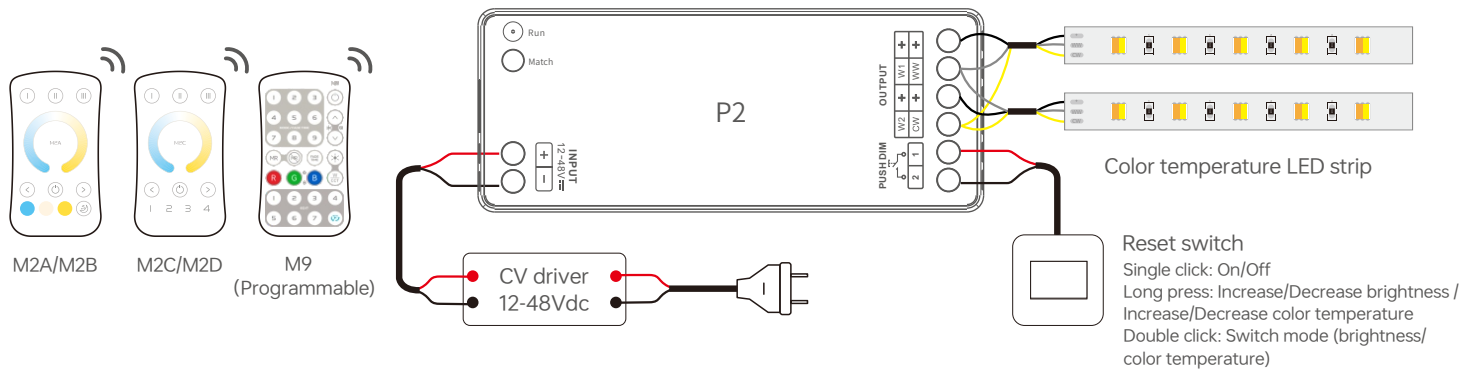
### When P1 is connected to the dimmable light strip



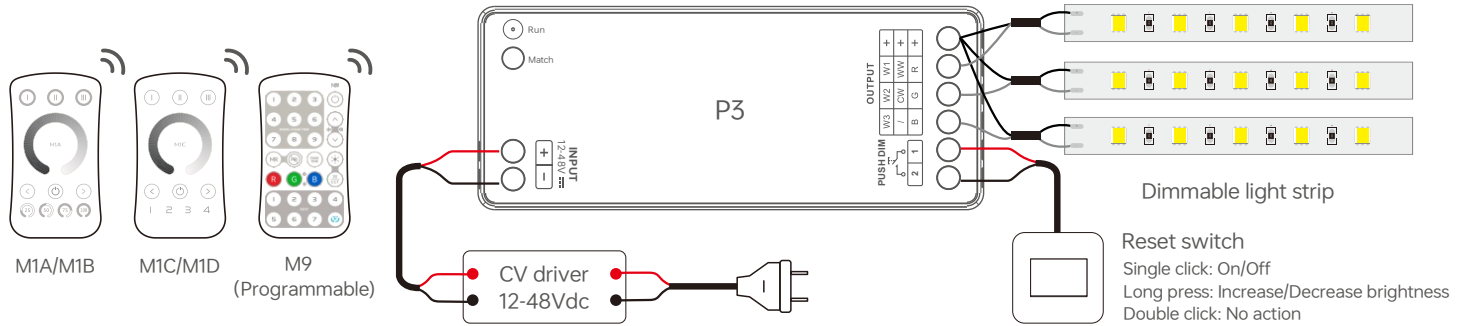
### When P2 is connected to the dimmable light strip



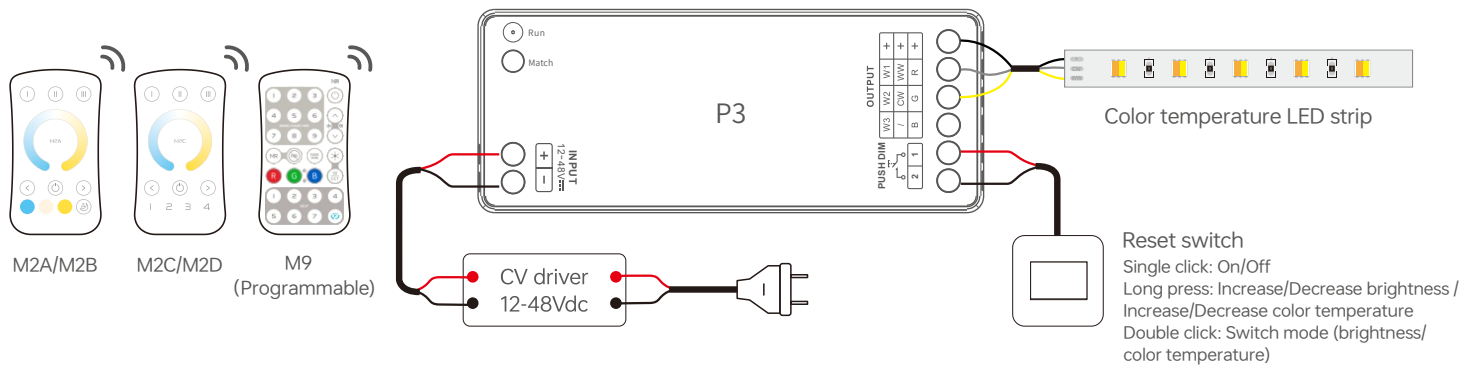
### When P2 is connected to the color temperature light strip



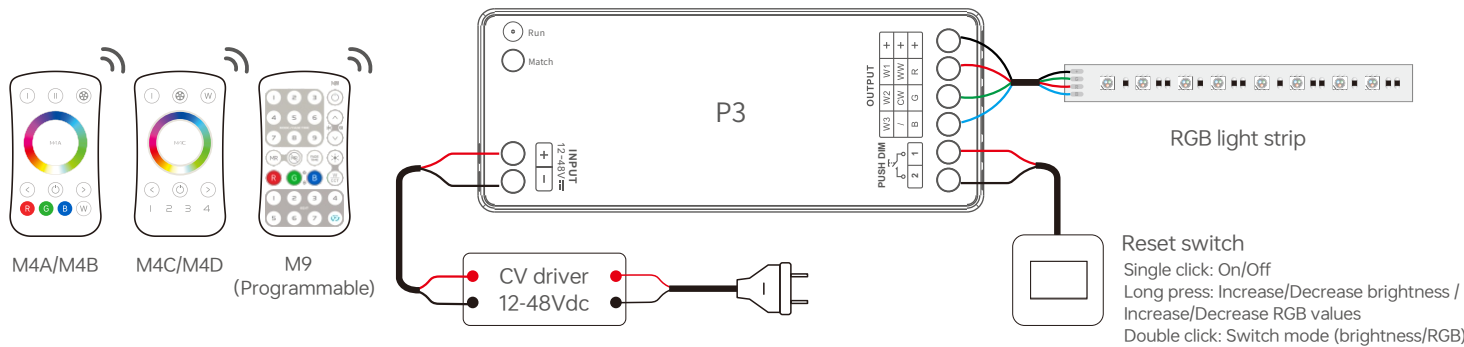
## When P3 is connected to the dimmable light strip



## When P3 is connected to the color temperature light strip

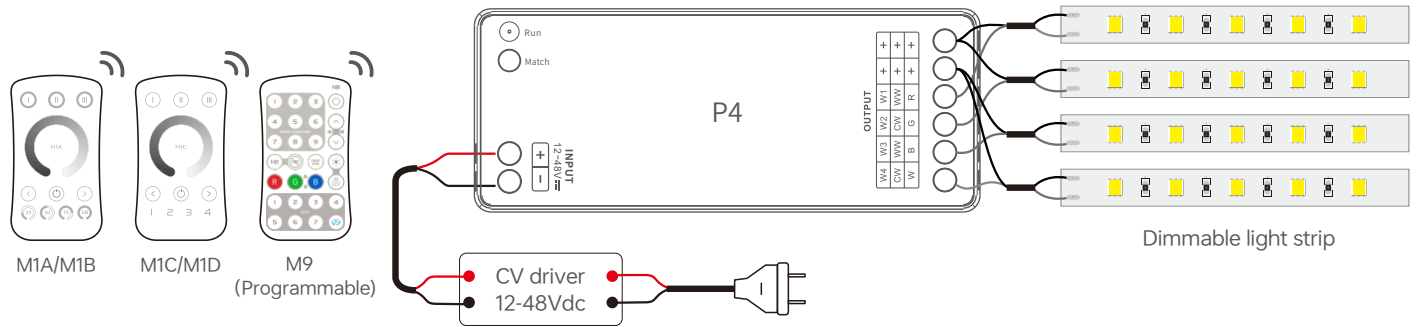


## When P3 is connected to the RGB light strip

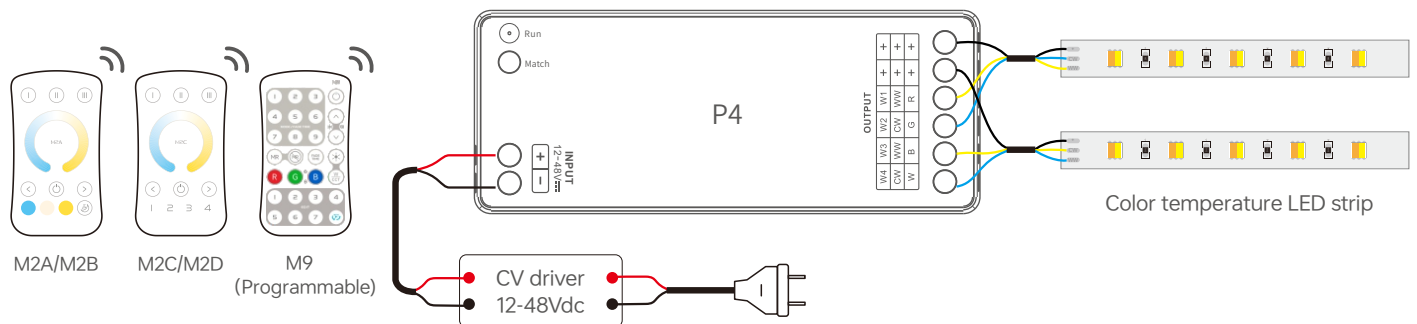


Note: The control type of PUSH DIM will switch according to the type of the remote control.

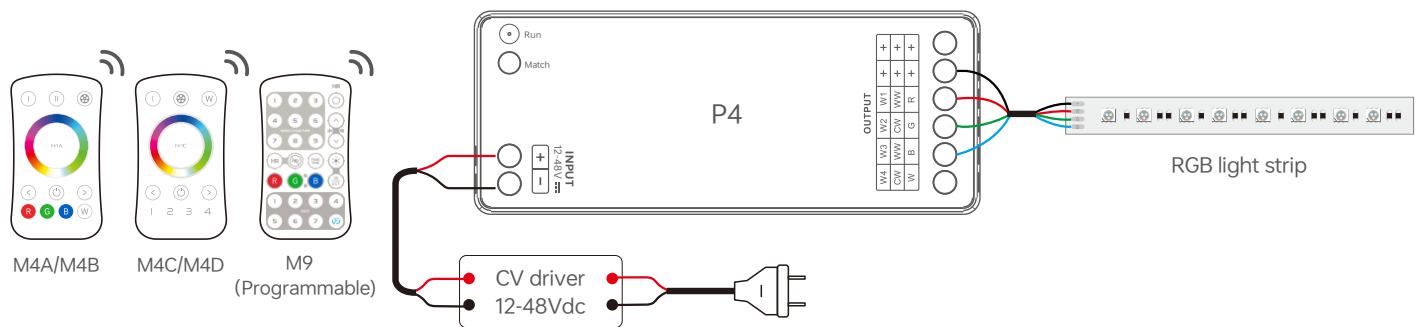
When P4 is connected to the dimmable light strip



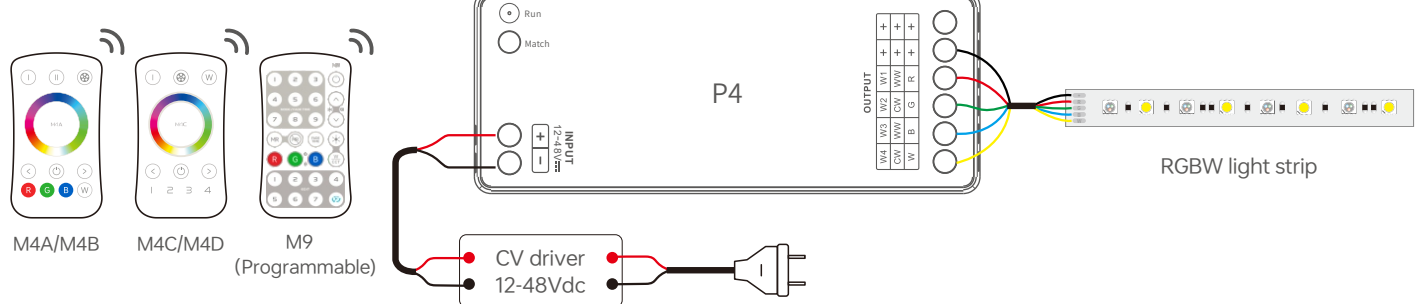
When P4 is connected to the color temperature light strip



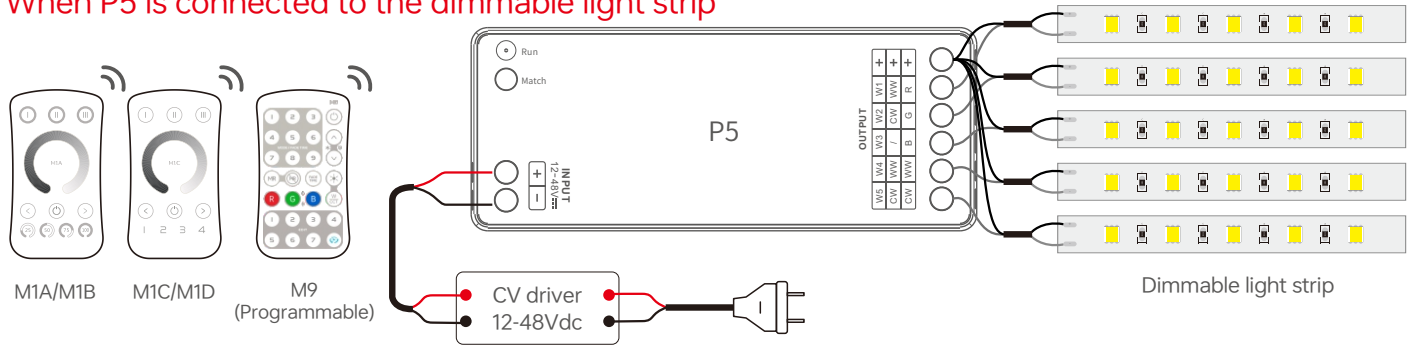
When P4 is connected to the RGB light strip



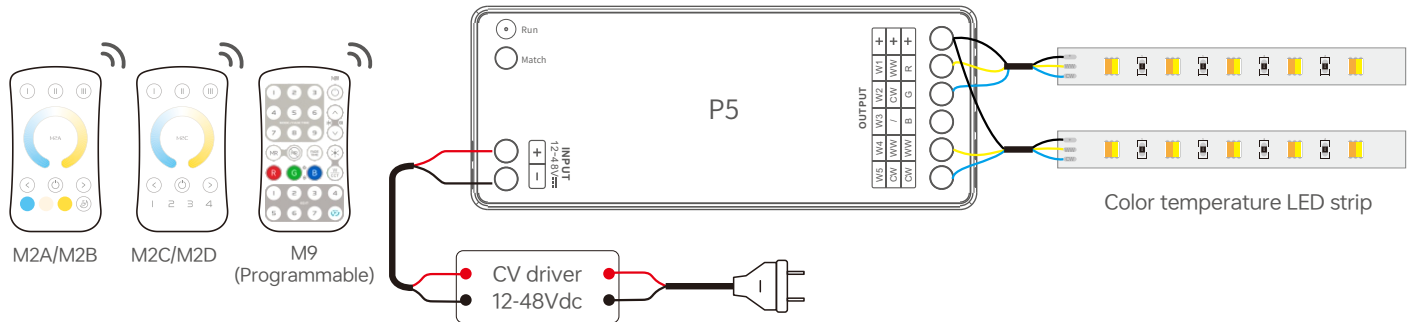
When P4 is connected to the RGBW light strip



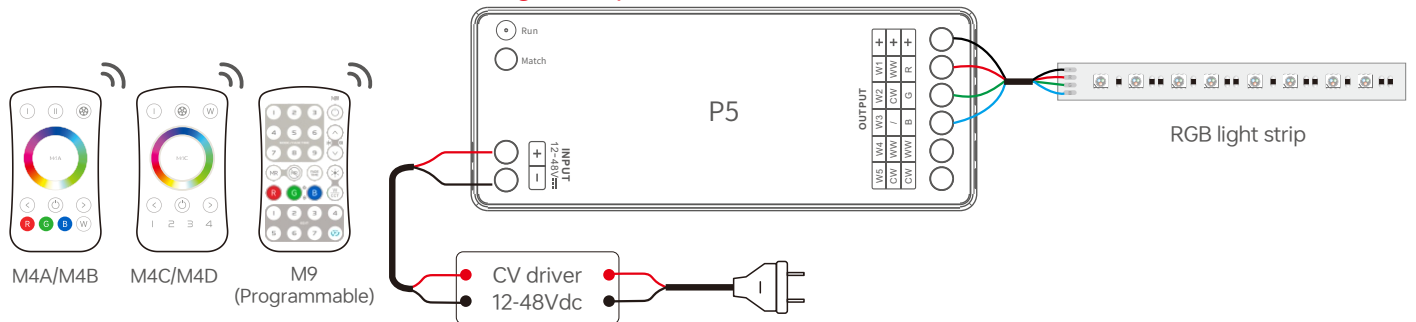
When P5 is connected to the dimmable light strip



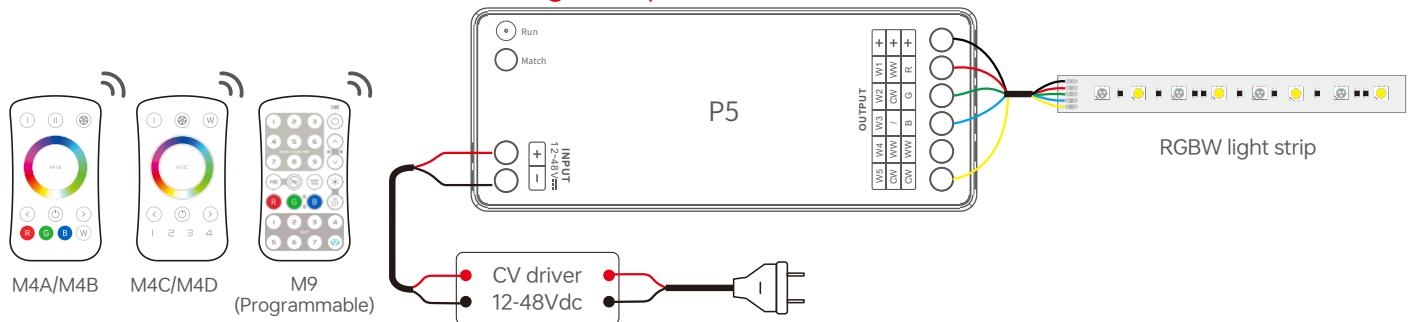
When P5 is connected to the color temperature light strip



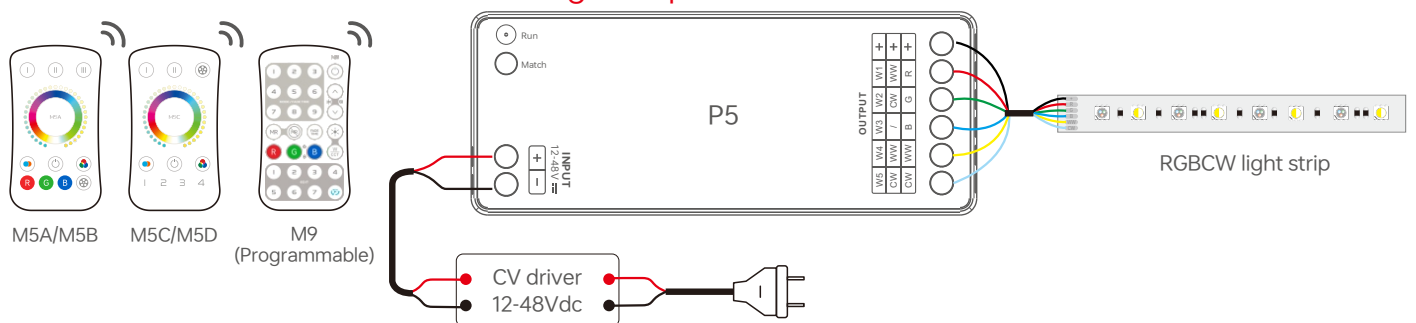
When P5 is connected to the RGB light strip



When P5 is connected to the RGBW light strip



When P5 is connected to the RGBCW light strip



## Pair the remote

Pair the remote by using the button

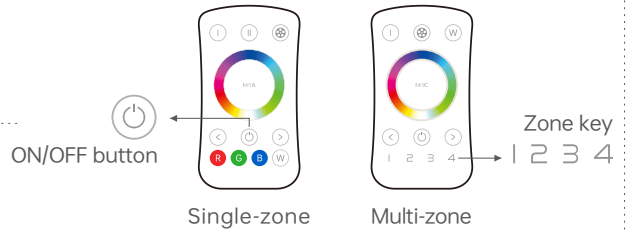
1. Short press the ID learning button on the controller and the indicator light flashes. Please complete the following steps within 10 seconds.

2. Pair the MINI series remote:

Single-zone MINI remote: Long press the ON/OFF button until the controller's indicator light flashes fast.

Multi-zone MINI remote: Long press zone button until the controller's indicator light flashes fast.

3. When the load light of the controller flashes slowly and then stays on constantly, the learning is successful.



Pair the remote by powering on the controller

1. Power off the controller first.

2. Pair the MINI series remote:

Single-zone MINI remote: Long press the ON/OFF button and power on the controller at the same time until the controller's indicator light flashes fast.

Multi-zone MINI remote: Long press zone button and power on the controller at the same time until the controller's indicator light flashes fast.

3. When the load light of the controller flashes slowly and then stays on constantly, the learning is successful.

Note: A controller can be paired with a maximum of 10 remotes. Pairing more than 10 remotes will automatically delete the earliest remote ID codes.

## Unpair the remote

Unpair the remote by using the button:

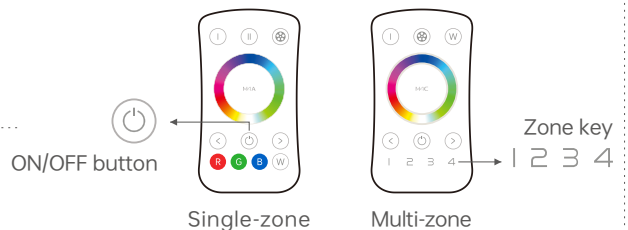
1. Delete all remote pairings

Long press the ID learning button on the controller for 10 seconds, and then short press it for 6 times. When controller's indicator light flashes and then stays on, pairing removal is successful.

2. Delete a single remote pairing

Single-zone Mini: Press and hold the ID learning key of the controller for 5 seconds. Within 10 seconds, press the on/off key three times briefly. When the load light flashes slowly and then stays on constantly, the code clearing is successful.

Multi-zone Mini: Press and hold the ID learning key of the controller for 5 seconds. Within 10 seconds, press the zone key three times briefly. When the load light flashes slowly and then stays on constantly, the code clearing is successful.



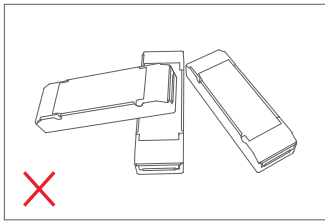
Unpair the remote by powering on the controller

Delete a single remote pairing

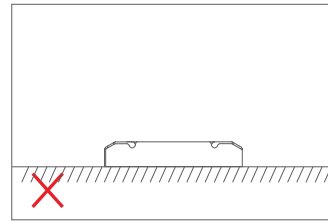
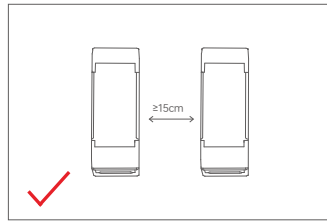
Single-zone Mini: Power on the controller for 2 seconds, then power it off for 2 seconds, and power it on again. Press the on/off key three times briefly within 3 seconds. When the load light flashes slowly and then stays on constantly, the code clearing is successful.

Multi-zone Mini: Power on the controller for 2 seconds, then power it off for 2 seconds, and power it on again. Press the zone key three times briefly within 3 seconds. When the load light flashes slowly and then stays on constantly, the code clearing is successful.

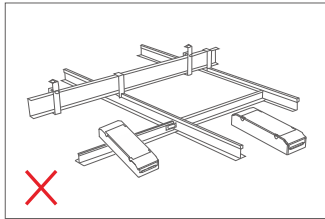
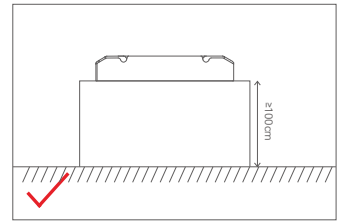
## Installation Precautions



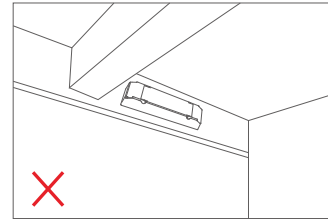
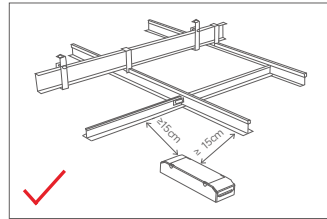
Please do not stack the products. The distance between two products should be  $\geq 15\text{cm}$  so as not to affect heat dissipation and the lifespan of the products.



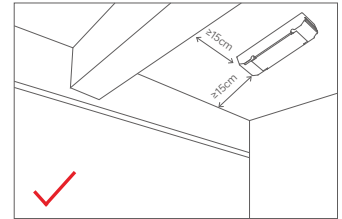
Please do not place the products on the floor. The distance between the product and the floor should be  $\geq 100\text{cm}$  so as to avoid signal interference.



Please do not place the products near a large area of metal objects (such as metal stud ceilings). The distance between the product and the metal object should be  $\geq 15\text{cm}$  so as to avoid signal interference.



Please do not install the products on beams or near the corners. The distance between the product and the beam or the corner should be  $\geq 15\text{cm}$  so as to avoid signal interference.



Note: The temperature within the installation area should be within the working temperature range of the products. Please do not install products inside LED fixtures to avoid temperature exceeding the working temperature that may affect the product lifetime.

## Attentions

- Product installation and commissioning should be done by a qualified professional.
  - LTECH products are and not lightningproof non-waterproof (special models excepted). Please avoid the sun and rain. When installed outdoors, please ensure they are mounted in a water proof enclosure or in an area equipped with lightning protection devices.
  - Good heat dissipation will extend the life the product. Please install the product in a environment with good ventilation.
  - During installation, avoid being close to large-area metallic objects or stacking the devices, so as to prevent signal interference from affecting the usage.
  - Avoid installing in thunderstorm-prone areas, areas with strong magnetic fields, and high-voltage areas.
  - When you install this product, please avoid being near a large area of metal objects or stacking them to prevent signal interference.
  - Please check whether the working voltage used complies with the parameter requirements of the product.
  - Before you power on the product, please make sure all the wiring is correct in case of incorrect connection that may cause a short circuit and damage the components, or trigger a accident.
  - If a fault occurs, please do not attempt to fix the product by yourself. If you have any question, please contact the supplier.
- \* This manual is subject to changes without further notice. Product functions depend on the goods. Please feel free to contact our official distributors if you have any question.

## Warranty Agreement

Warranty periods from the date of delivery : 5 years.

Free repair or replacement services for quality problems are provided within warranty periods.

Warranty exclusions below:

- Beyond warranty periods.
- Any artificial damage caused by high voltage, overload, or improper operations.
- Products with severe physical damage.
- Damage caused by natural disasters and force majeure.
- Warranty labels and barcodes have been damaged.
- No any contract signed by LTECH.

1. Repair or replacement provided is the only remedy for customers. LTECH is not liable for any incidental or consequential damage unless it is within the law.
2. LTECH has the right to amend or adjust the terms of this warranty, and release in written form shall prevail.